

ROHS Compliant



台灣駿品端子股份有限公司

TAIWAN KING PIN TERMINAL CO.,LTD

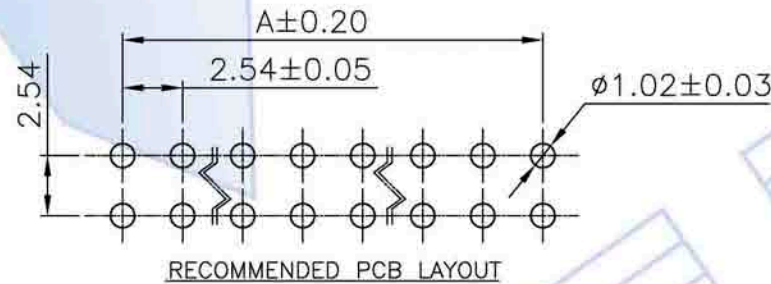
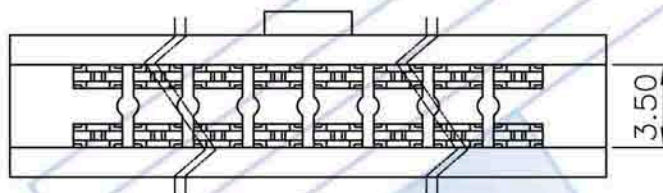
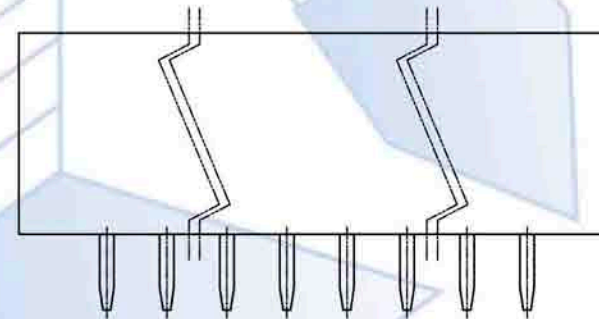
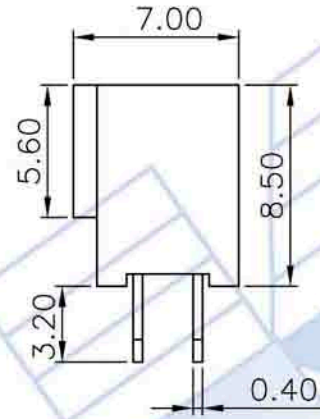
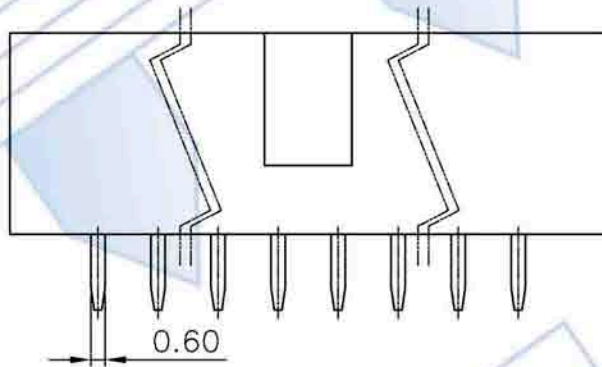
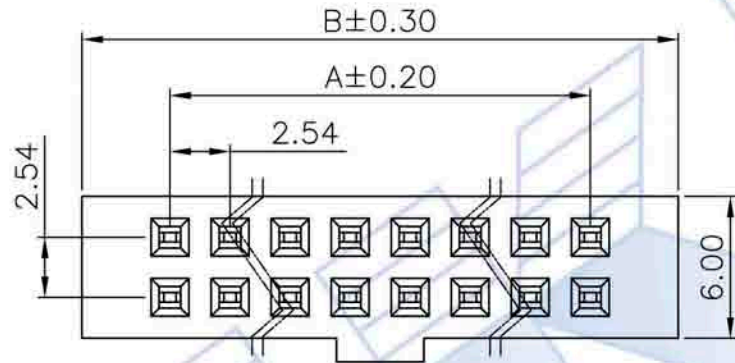
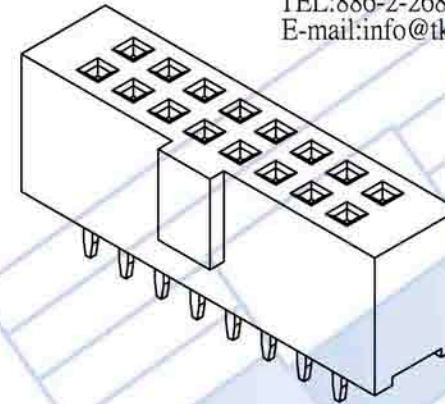
新北市樹林區俊德街 23 號

TEL:886-2-26895596.26886112

FAX:886-2-26886110

E-mail:info@tkp.com.tw

http://www.tkp.com.tw



NOTE :

- * Material : PBT, UL 94V-0(Lead Free)
- * Contact : Brass
- * Finish : Plated Gold over Nickel
- * Current rating : 3A, AC/DC
- * Voltage rating : 250V, AC/DC
- * Dual row
- * Mates with BH2I, BH2L, series headers
- * 10-68 circuits available

Circuits	Part No.	Dim. A	Dim. B
10	2202I-2x5-85-A	10.16	17.60
12	2202I-2x6-85-A	12.70	20.14
14	2202I-2x7-85-A	15.24	22.68
16	2202I-2x8-85-A	17.78	25.22
18	2202I-2x9-85-A	20.32	27.76
20	2202I-2x10-85-A	22.86	30.30
24	2202I-2x12-85-A	27.94	35.38
26	2202I-2x13-85-A	30.48	37.92
28	2202I-2x14-85-A	33.02	40.46
30	2202I-2x15-85-A	35.56	43.00
34	2202I-2x17-85-A	40.64	48.08
36	2202I-2x18-85-A	43.18	50.62
40	2202I-2x20-85-A	48.26	55.70
50	2202I-2x25-85-A	60.96	68.40
68	2202I-2x34-85-A	83.82	91.26



PART NO.	2202I-2xX-85-A			Part NO.	Material	Color/Finish	Remark	APPROVAL
TITLE	2.54mm Board to Board							DRAWN: 吳嘉瑜
THIRD ANGLE	SCALE	UNIT	SHEET NO	TOLERANCE	DATE	ODD NUMBERS	REV	CHECKED: 張明遠
	2:1	mm	1/1	.X± 0.30 .XXX±0.10 .XX± 0.20 ANGLE±2°	2016.11.29	ENG970111	A1	APPROVED: 陳泓宇
	254-156		D254-004					