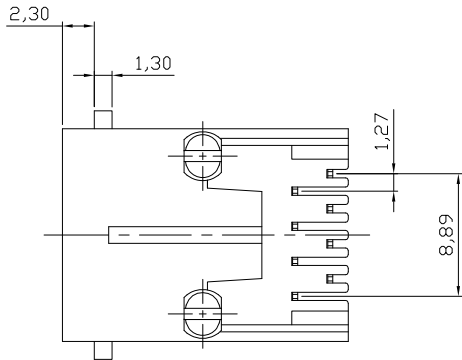


PC Board Layout  
Component Side Shown  
PC Board For T=1,60mm




**NOTES:**  
**Mechanical:**  
 1. Housing material : Glass Filled Polyester UL94V-0 , Color: Black  
 2. Contact material: Phosphor Bronze t=0.35mm  
 ② 3. Contact plating: Contact area---6u" Gold plating  
 Tails---Tin plated all over 50u" Nickel  
 4. Operating Life: 750 Cycles min.  
 5. PCB Retention Pre-solder: 1 LB min.  
 6. PCB Retention Post-solder: 10 LBS min.  
**Electrical:**  
 1. Voltage Rating: 125VAC.  
 2. Current Rating: 1.5AMP.  
 ② 3. Contact Resistance: 50mΩ max.  
 4. Insulation Resistance: 1000MΩ min. @ 500 VDC  
 5. Dielectric Strength: 1000 VAC 60Hz, 1 min.  
**Environmental:**  
 1. Storage: -40°C To +85°C  
 ② 2. Operation: -40°C~+85°C  
 ② 3. Wave Soldering Temp: 200~220°C(5~10S)  
 ② Packing: 90pcs/Tray, 3600pcs/Carton

**RoHS compliant**  
Unit:mm



File No.: E345352

Scale	Free				Date	Name	Customer-No.
TOLERANCE					Drawn	02.07.2009	Dean
X.X	±0.20				Approved	27.05.2013	Amy
X.XX	±0.15						
X.XXX	±0.10						
DIM	TOL	② Update	27.05.2013	Amy			
		① Drawn	02.07.2009	Dean			
Angle	±5°	Id.	Modification	Date	Name	Replace	SHEET

ASSMANN WSW-No.  
**A-20042**  
 Drawing-No.  
**ASS 0485 CO** rev02  
 Replace SHEET