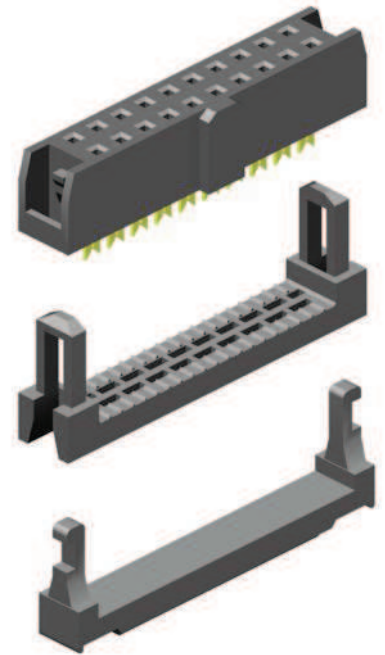
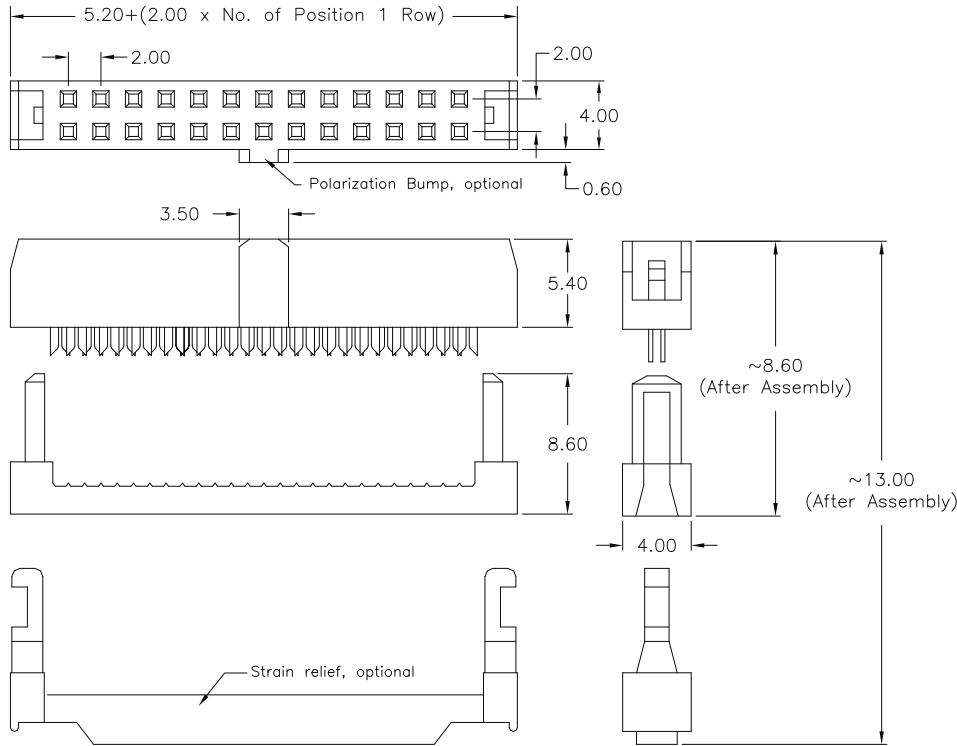


2.00mm pitch

IDC – Female Connector



SPECIFICATIONS

Current rating	1 A	Operating temperature	- 40°C to +105°C
Insulator resistance	1000 MΩ min.	Contact material	(RoHS compliant) Phosphor Bronze
Contact resistance	20 mΩ max.	Insulator material	(RoHS compliant) P.B.T. UL 94 V-0
Withstanding voltage	500 V AC		

APPLICATION AND FEATURES

Designed to mate with 0.50mm square pins Box Header
 High Quality dual beam contacts
 Accepts 26 & 28 AWG 1.00mm flat ribbon cable.

How to order

IDS - xxx - X 200 - 95 (/ P)

Nbr of contacts
available with strain relief: 010; 012; 014; 016; 018; 020 022; 024; 026; 028; 030; 032 034; 040; 044; 050
available without strain relief: 006; 008; 010; 012; 014; 016 018; 020; 022; 024; 026; 028 030; 032; 034; 040; 044; 050 054; 056; 060; 064; 068

Strain relief
S = with W = without

Plating
95 = tin / gold <small>(tin leadfree)</small> Other platings on request

Option
P Polarization bump