

Compact splicing connector; 5-conductor terminal block; with operating levers; max. continuous service temperature 85°C

Item No.: 222-415



Compact splicing connector; 5-conductor terminal block; with operating levers; max. continuous service temperature 85°C

Marking

RoHS ✓
Compliant

Business data

Supplier	WAGO
Item no.	222-415
GTIN / EAN	4044918464956
Content	1
Order amount	40
Customer item number	

Notes

Technical data

Miscellaneous

Total number of connection points	5
Total number of potentials	1
Color	gray
Pollution degree (1)	2
Rated voltage EN (1) [V]	400 [V]
Rated surge voltage (1) [kV]	4 [kV]
Nominal current [A]	32 [A]
Connection technology (1)	CAGE CLAMP®

Printview: Compact splicing connector; 5-conductor terminal block; with operating levers; max. continuous service temperature 85°C - Item No.: 222-415

Technical data	
Solid sizes 1	0.08 ... 2.5 mm ² / 28 ... 12 AWG
stranded, connectable 1	0.08 ... 2.5 mm ² / 28 ... 12 AWG
Fine-stranded wires 1	0.08 ... 4 mm ² / 28 ... 12 AWG
Strip length 1	9 ... 10 mm / 0.35 ... 0.39 in
Type of wiring	Side-entry wiring
Fire load [MJ]	0.129 [MJ]
Weight [g]	6.58 [g]
Width	26.6 mm / 1.047 in
Height	14.5 mm / 0.571 in
Length	20.5 mm / 0.807 in
Safety information 1	In grounded power lines

Approbation					
Item No.	Registration	Registration no.	Voltage [V]	Current [A]	Cross section [mm ² , AWG]
222-415	ABS	10-HN17750340X	450	32	0,5-4
222-415	ENEC15	DK140137-01	450	32	0,5-4

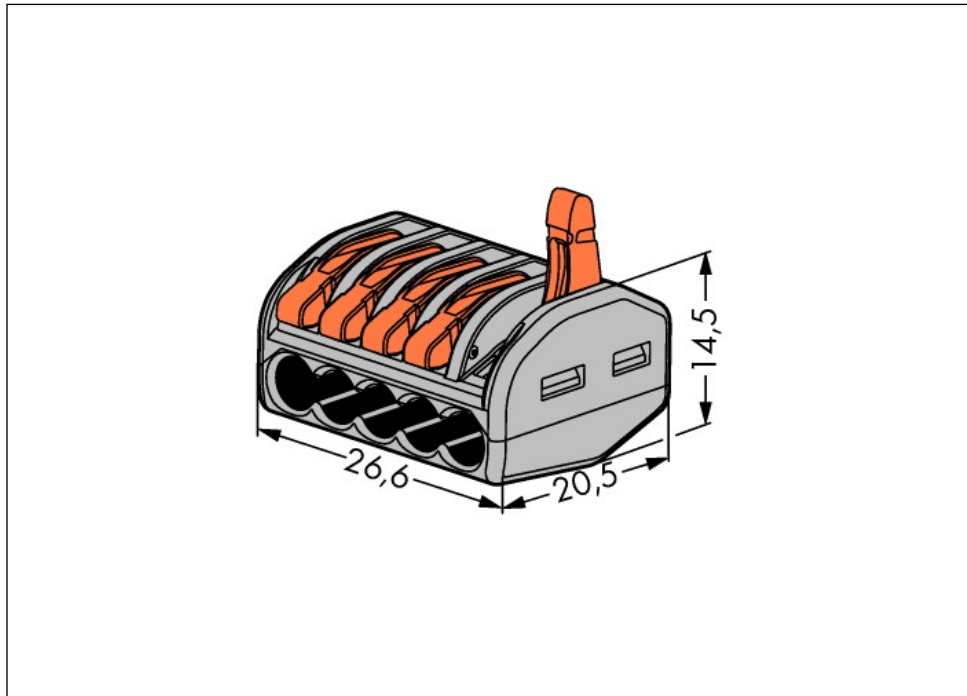
Accessories

Strain relief		
Item no.	Description	Pack. unit (Sub Pack)
222-505	Strain relief plate; for snap-on fixing to 222-500 mounting carrier	10

General accessory		
Item no.	Description	Pack. unit (Sub Pack)
222-500	Mounting carrier; for 2-, 3-, 5-wire compact splicing connectors	10
222-510	Angled DIN-rail adapter; in combination with 222-500 mounting carrier for DIN 35 rail mounting	10

Images & drawings





Address

WAGO Kontakttechnik GmbH & Co. KG

Hansastr. 27

32423 Minden

Telefon: 0571/887-0

Fax: 0571/887-169

<http://www.wago.com>

© WAGO Kontakttechnik GmbH & Co. KG

Technische Änderungen und Irrtümer vorbehalten.