

ROHS Compliant



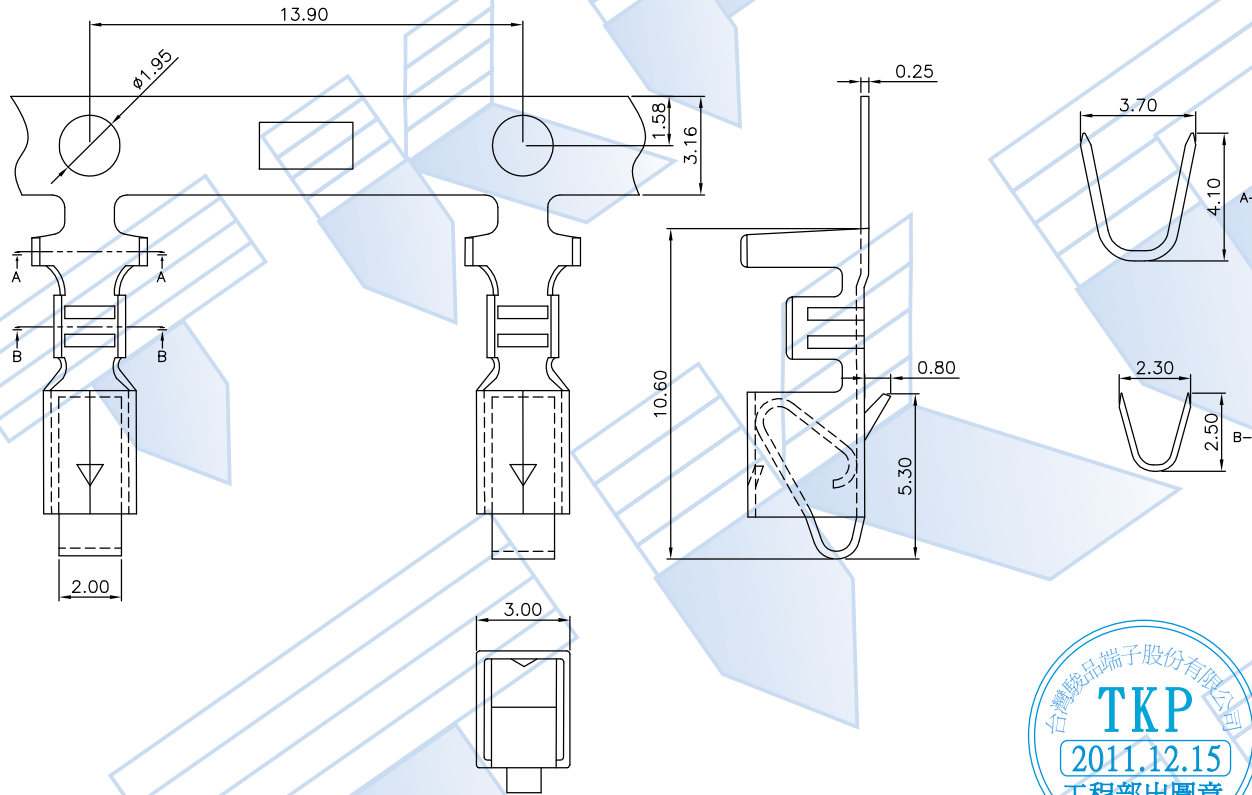
台灣駿品端子股份有限公司

TAIWAN KING PIN TERMINAL CO.,LTD

台北縣樹林市俊德街 23 號

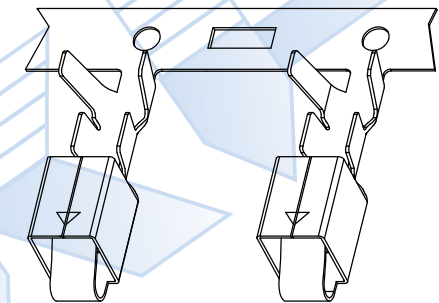
TEL:886-2-26895596.26886112 FAX:886-2-26886110

E-mail:info@tkp.com.tw http://www.tkp.com.tw



NOTE

- * Material :Brass or Phosphor bronze (Lead Free)
- * Finish : Plated Tin Over Nickel
- * Electrical rating : TUV 250V 7A , AC/DC
- * Applicable wire AWG #22-#16
- * Used in HVH series housings



PART NO.	VHT (LF)			Part NO.	Material	Finish	Remark	APPROVAL
TITLE	3.96mm Wire to Board			VHT(LF)	Brass	Tin		DRAWN: 高琇瑩
THIRD ANGLE	SCALE	UNIT	SHEET NO	VHT-1A(LF)	Phosphor bronze	Tin		CHECKED: 張明遠
	3:1	mm	1/1	TOLERANCE	DATE	ODD NUMBERS	REV	APPROVED: 陳泓宇
	396-001		A396-001	.X± 0.30 .XXX±0.10 .XX± 0.20 ANGLE±2°	2011.12.15	ENG951227	A7	