
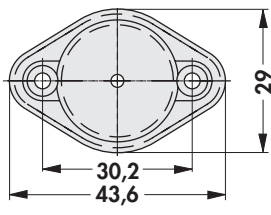
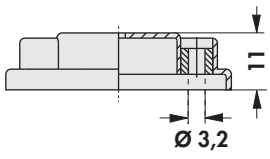

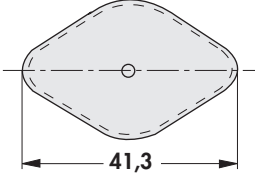
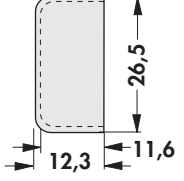


Insulating caps

– different transistor flange levels will be by the sleeves

<p>art. no.</p> <p>IK 341 3</p>			
<p>art. no.</p> <p>IK 3</p>			
<p>material:</p>		<p>polyamide, GF reinforced</p>	
<p>pressed-in sleeves:</p>		<p>brass, nickel-plated</p>	
<p>class of flammability:</p>		<p>UL 94 V-0</p>	