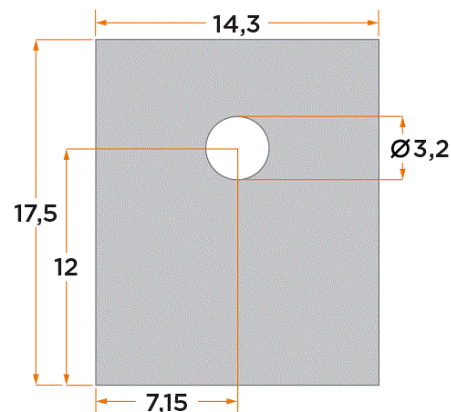


Product Data Sheet Type: SI489

Group: ACCESSORIES Thermal Interface Material

Silicone washers

Electrical insulating :	5 kV
Thickness :	0,23
Dielectric coefficient :	2,29 at 1MHz
Minimum thermal resistance :	1,5 K/W
For device :	TO 220
Device mounted by :	Screw
Material :	Silicon w. Glasfibre



Glass fiber reinforced silicone foil in combination with bushes facilitate insulated mounting of semiconductors e.g. on heatsinks. They are highly flexible and ensure optimal heat conductivity even without using thermal compounds.

- Custom designed in all configurations (on request).
- Cost saving assembly of different components onto a common insulator wafer.
- Thickness: 0,23mm
- Dielectric strength: app. 5 KV
- Dielectric constant: 2,29 (by 10⁶ Hz)
- Hardness: (Test ASTM D 2240) 85 Shore A
- Elongation: (Test ASTM D 412) 2%
- Colour: grey
- Tolerance: +/-0,02mm
- Temperature range: -60 / +200 °C
- UL listed

