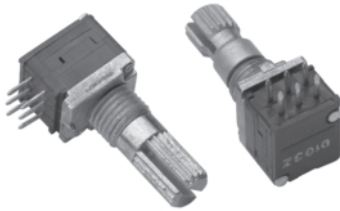


Model 180

Vishay Spectrol



9.5mm Conductive Plastic Potentiometer



FEATURES

- Conductive Plastic Element
- Smooth Feel
- High Rotational Life
- Quiet Electrical Output
- Robust Construction
- Shaft lengths up to 35mm

ELECTRICAL SPECIFICATIONS

PARAMETER	
Resistance Range	
Linear	200Ω to 2.5MΩ
Non - Linear	1.0KΩ to 1.0MΩ
Resistance Tolerance	± 20% standard
Linearity	± 5% through independent (through 100KΩ)
Power Rating: Bushing Mount	
Linear Taper	0.10 watt @ 40°C
Non - Linear Taper	0.05 watt @ 40°C
Power Rating: PC Mount	0.05 watt @ 40°C
	Derate to 0 watt @ 100°C
Minimum Resistance	10Ω maximum Each End Linear 10Ω maximum Low End 1% High End Non Linear
Maximum Cont. Working Voltage	100VAC
Dielectric Withstanding Voltage	Sea level - 300 VAC
Dynamic Noise (CRV)	2% of Rt Standard Linear

ENVIRONMENTAL SPECIFICATIONS

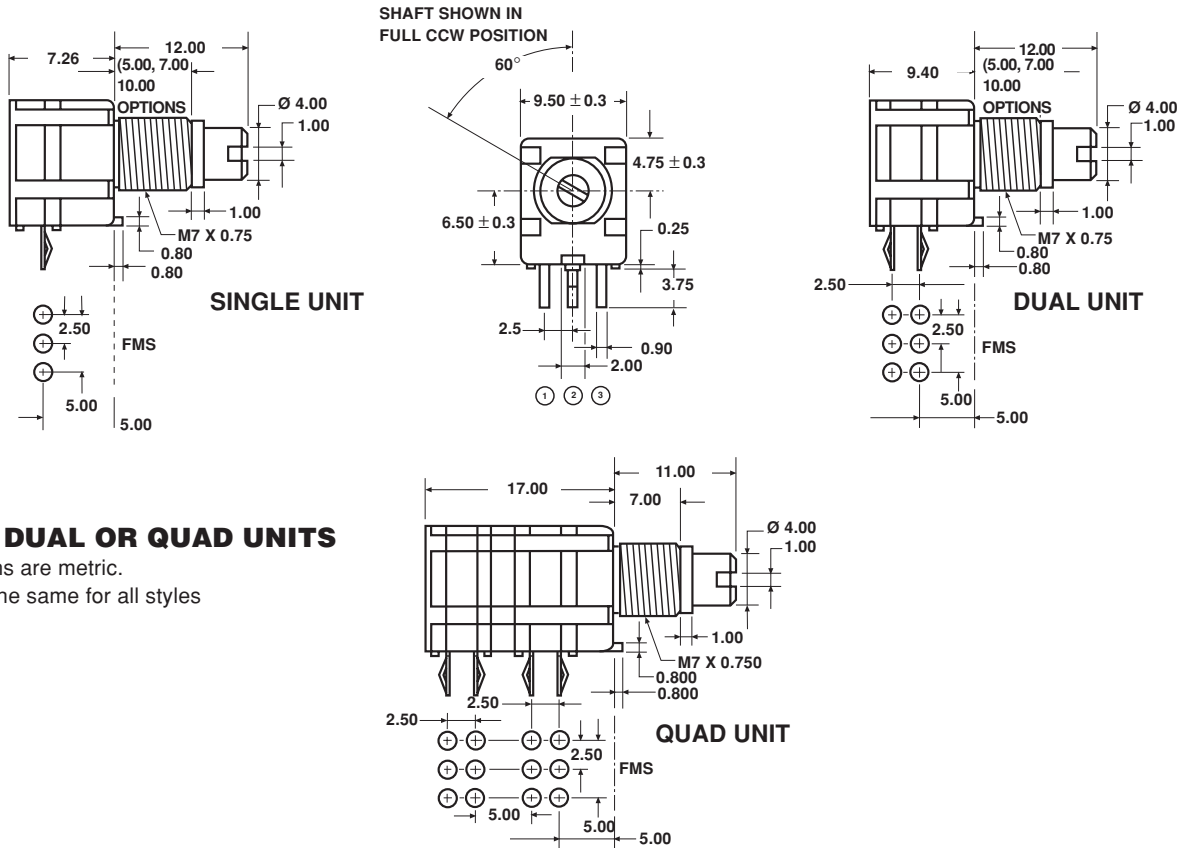
PARAMETER	
Storage Temperature	- 40°C to + 100°C
Temperature Cycling	-40°C to ± 100°C (5 cycles, 4% ΔRt)
Load Life	1000 hours, Rated Load @ 40°C (10% ΔRt)
Rotational Load Life	40,000 cycles (10% ΔRt)

ORDERING INFORMATION

180	S	X	4	P	25	F	102	S	P
MODEL NO OF SECTION	MECHANICAL CONFIGURATION	LOCATING PIN	BUSHING SIZE & SHAFT DIAMETER	SHAFT LENGTH CODES	SHAFT STYLE	RESISTANCE CODE	TAPER	TERMINAL CONFIGURATION	
S: Single	X: Standard	4: @ 6 o'clock	Metal shaft: 6mm dia.	Single Shaft	S: Slotted	Standard values	S: Linear, ± 20%	P: PC terms 3.5mm lg	
D: Dual	D: Centre Detent	X: No Loc. Pin	Q: M7 x 0.75 thrd, 7mm lg	Code FMS in mm	F: Flatted	200 50K	Z: CW Log, ± 20%	B: Type B Mounting	
Q: Quad			P: M7 x 0.75 thrd, 5mm lg	10	K: Knurled	500 100K	R: CCW Log, ± 20%	w/rear support plate	
			Metal shaft: 4mm dia	13		1K 250K	Note: Resistance values above 1MΩ are ± 30%		
			S: M7 x 7.5 thrd, 7mm lg	16		2.5K 500K			
			T: M7 x 0.75 thrd, 5mm lg	22		5K 1MΩ			
			U: M7 x 0.75 thrd, 10mm/g	25		10K 2MΩ			
						25K 2.5M			

Example: 180 - S - X - 4 - P - 25 - F - 102 - S - P

DIMENSIONS in millimeters



SINGLE, DUAL OR QUAD UNITS

All dimensions are metric.
End view is the same for all styles

MECHANICAL SPECIFICATIONS	
PARAMETER	
Materials of Construction:	
Housing	Moulded Thermoplastic
Shaft	Metal
Wiper	Metal Contact Spring
Bushing	Metal
Construction:	
Mounting	Bushing or PC
Locating Pin	@ 6 o'clock
Pin	No pin, optional
Sealed	Not sealed for washing
Terminals:	
Number	3 in line
Type	PC Pins on 0.100 Grid Standard
Strength	2lb Push & Pull
Mechanical Rotation	295, ± 5
Torque	
Operating	0.2 to 2.5 oz - in. @ 25°C, 0.5 oz - in.
Variation in Control Stop	3 in - lbs

MARKING	
Unit Identification	Ink stamp on periphery or rear